

The uniquely designed REM 4525 is a shaftless floor pick-up that is aligned to the inboard edge of the rewind. Both arms are fixed, and pivot to the floor for pickup, but only the outboard chuck moves inward on a mechanical ratchet system to hold the roll. This alternative to other designs allows for the flexibility of shaftless roll handling without the complexity of individually moving arms.

# 4525

[shaftless floor pick-up]

---

Shaftless design

---

Floor Pick-up

---

Arms are edge-aligned

---

Pneumatic disc brake

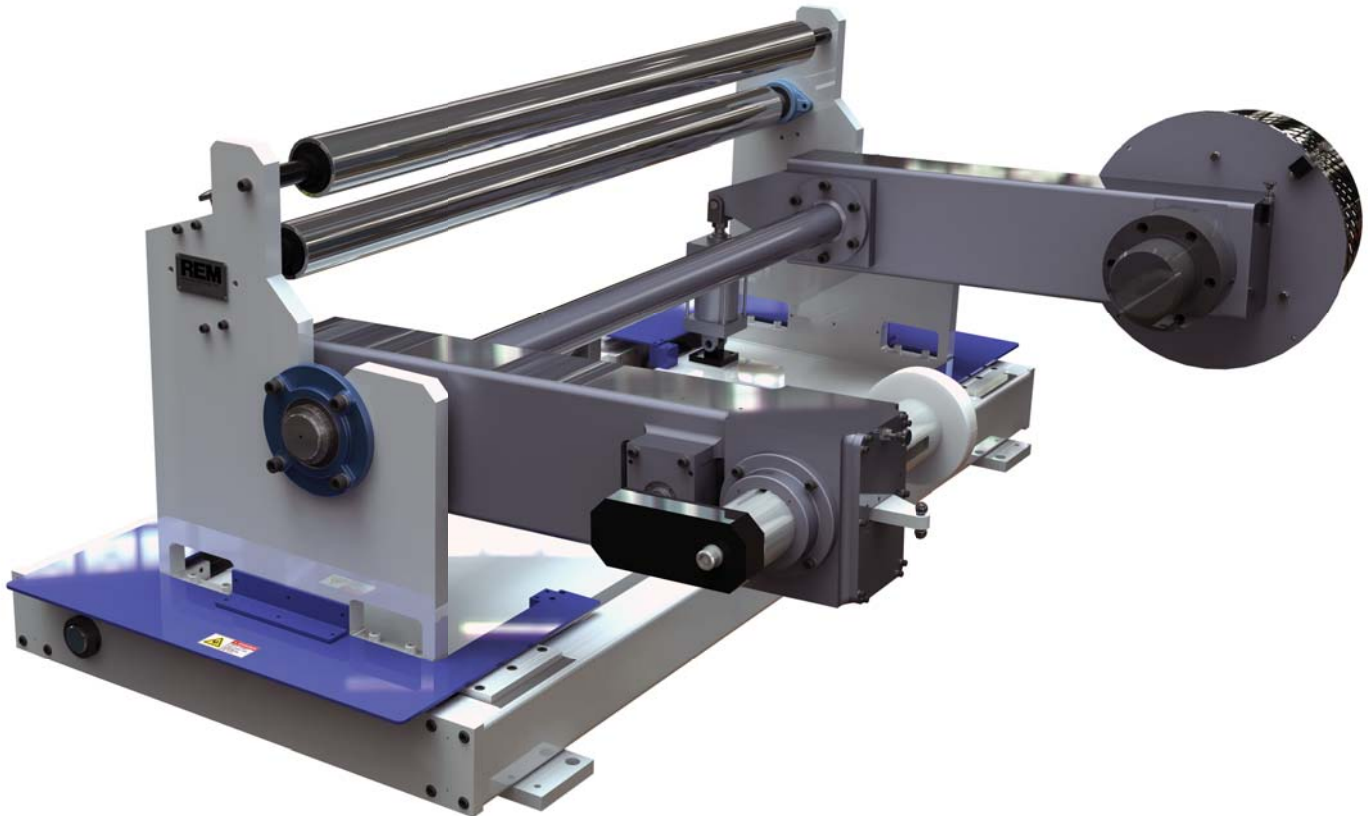
---

Constant unwind tension via load cell feed back

---

Bag-edge adjusting idler roll

---





Diameters  
48" | 60"

Web Widths  
30 | 40 | 52 | 62 | 72 | 84"

**Shaft Type:**

- Core Chucks
- Cantilevered

**Control System:**

- Brake [Motor Optional]
- Point I/O
- 7" Touchscreen & Remote Control

**Optional Accesories:**

- Splice Tables
- Walkways

